

GSCR3 Full Extension Mini Slide

Max load 12kg

Features

- Full extension (3 members)
- Little change in operating force due to mechanism hardly causing ball creep
- Only 15.5 mm in height with small deflection, suitable for various applications
- Passed 50,000 open / close private cycle test

Notes

- Types with slide length 80 mm have no holes marked with ※
- Install stopper separately to protect rails and retainers from strong shock

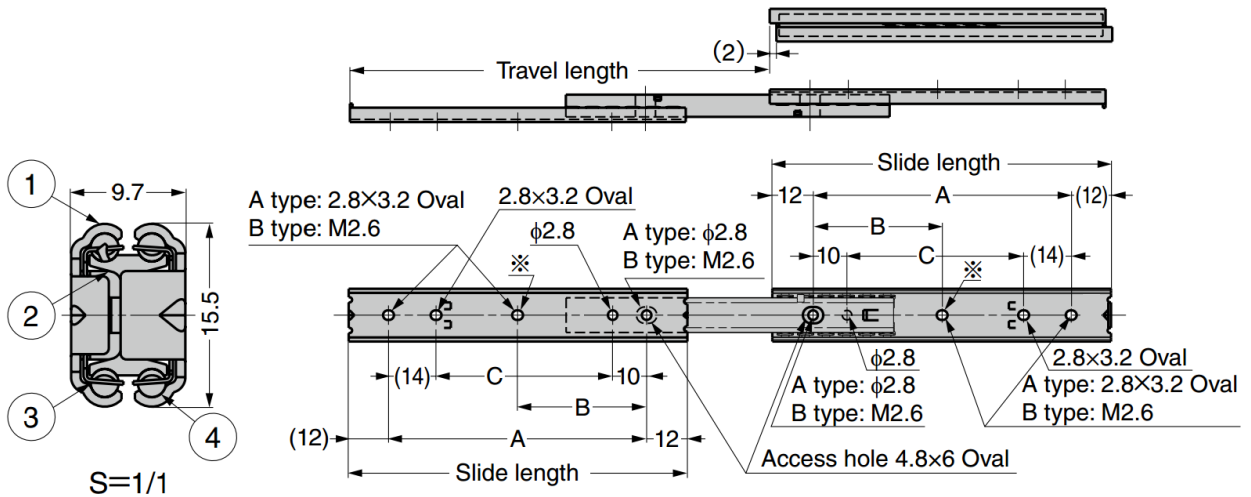
Recommended Screws

- A Type: M2.6 low head screw
- B Type: M2.6 screw
- Screw length = Panel thickness + Max. 1.7 mm



B type shown

No.	Part Name	Material
①	Outer Member	Stainless Steel (SUS304)
②	Inner Member	
③	Retainer	Steel (SUJ)
④	Balls	



Sold in pieces

Part No.	Holes	Slide Length	Travel Length	A	B	C	Load Capacity (pair)	
GSCR3-15-80A	A Type (Through Hole)	80	97	56	-	32	98 N	10 kg
GSCR3-15-100A		100	125	76	38	52	108 N	11 kg
GSCR3-15-150A		150	177	126	63	102	118 N	12 kg
GSCR3-15-80B	B Type (Screw Hole)	80	97	56	-	32	98 N	10 kg
GSCR3-15-100B		100	125	76	38	52	108 N	11 kg
GSCR3-15-150B		150	177	126	63	102	118 N	12 kg